



1.

2.

3

4

CBB81

4			
5		500VDC)	
6		±10% K	
			<input type="checkbox"/>
			<input type="checkbox"/>

			<input type="checkbox"/> <input type="checkbox"/>
		$\pm 1\%$ <input type="checkbox"/> 1(10kHz) IR 50%	<input type="checkbox"/>
		$\pm 1\%$ 2(10kHz) IR 50%	
		$\pm 1\%$ 1(10kHz) IR 50%	

6.

6.1

6.2

6.3

UL 94V 0

6.4

0.8mm

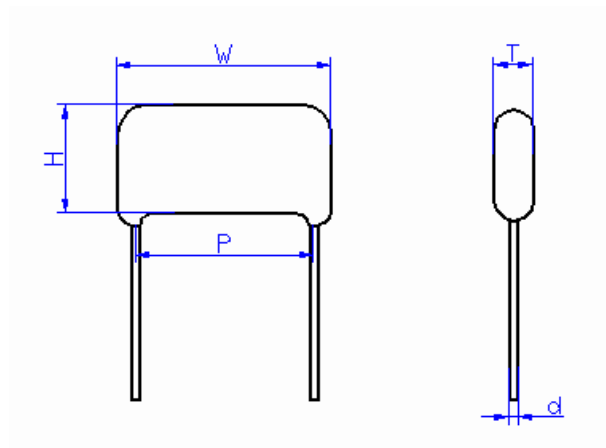
6.5

No	
1	0.8mm
3	
4	
5	

7

-40

8



μF	voltage	Dimensions				
		Wmax	Hmax	Tmax	P \pm 1	d
0.0010	1000V	20.0	12.0	6.5	17.5	0.8
0.0012		20.0	12.5	6.5	17.5	0.8
0.0015		20.0	13.5	7.0	17.5	0.8
0.0018		20.0	14.0	7.0	17.5	0.8
0.0022		20.0	15.0	7.0	17.5	0.8
0.0027		23.0	15.0	7.0	19.5	0.8
0.0033		20.0	10.0	6.5	17.5	0.8
0.0039		20.0	11.0	6.5	17.5	0.8
0.0040		20.0	11.0	6.5	17.5	0.8
0.0047		20.0	11.5	7.5	17.5	0.8
0.0056		20.0	12.5	7.5	17.5	0.8
0.0062		20.0	13.0	7.5	17.5	0.8
0.0068		20.0	13.0	7.5	17.5	0.8
0.0082		23.0	12.5	7.0	19.5	0.8
0.010		23.0	13.0	7.5	19.5	0.8
0.012		20.5	15	8.9	17.5	0.8
0.015		21.0	16.8	9.2	17.5	0.8
0.022		21.0	18.2	10.3	17.5	0.8
μF	voltage	Dimensions				
		Wmax	Hmax	Tmax	P \pm 1	d
0.0010	1600V/2000V	20.0	11.5	6.0	17	0.8
0.0012		20.0	12.0	6.5	17	0.8
0.0015		20.0	12.5	6.5	17	0.8
0.0018		20.0	13.0	7.0	17	0.8
0.0022		20.0	14.5	8.5	17	0.8
0.0027		23.0	15.0	7.0	19	0.8
0.0033		23.0	16.0	7.3	19	0.8
0.0036		23.0	16.0	7.5	19	0.8
0.0039		23.0	17.0	8.0	19	0.8
0.0043		27.5	14.0	7.5	24.5	0.8
0.0047		27.5	14.5	7.5	24.5	0.8
0.0051		27.5	14.5	7.5	24.5	0.8
0.0053		27.5	14.5	7.5	24.5	0.8
0.0056		27.5	15.0	8.0	24.5	0.8



0.0062		27.5	16.0	8.0	24.5	0.8
0.0068		27.5	16.0	8.0	24.5	0.8
0.0072		27.5	16.0	8.5	24.5	0.8
0.0075		27.5	18.0	8.5	24.5	0.8
0.0082		27.5	18.0	8.5	24.5	0.8
0.0084		27.5	18.0	8.5	24.5	0.8
0.0091		27.5	18.0	9.0	24.5	0.8
0.010		27.5	18.5	9.5	24.5	0.8